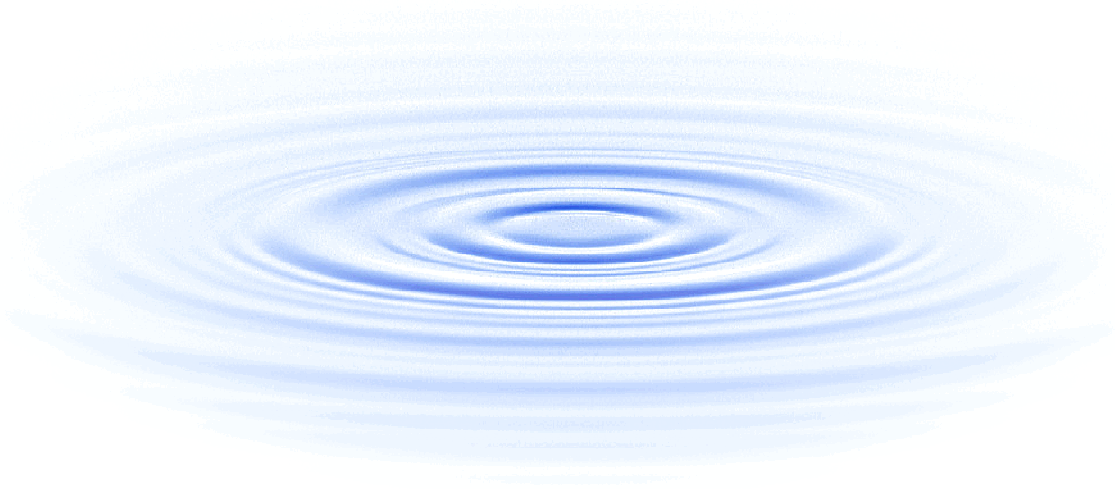


Condensate Return

Flash Injection Mixers



Increase energy efficiency and save space

Introducing... the **CF Condensate Mixers** that save energy by utilizing flash steam energy that is wasted in "pots" or flash tanks along pumped condensate lines

CF units can reduce energy consumption of drip stations by between 5 – 15 percent

Advanced
Steam Technology

Toll Free 877-629-4843
website: advancedsteam.com

Recycle wasted flash energy

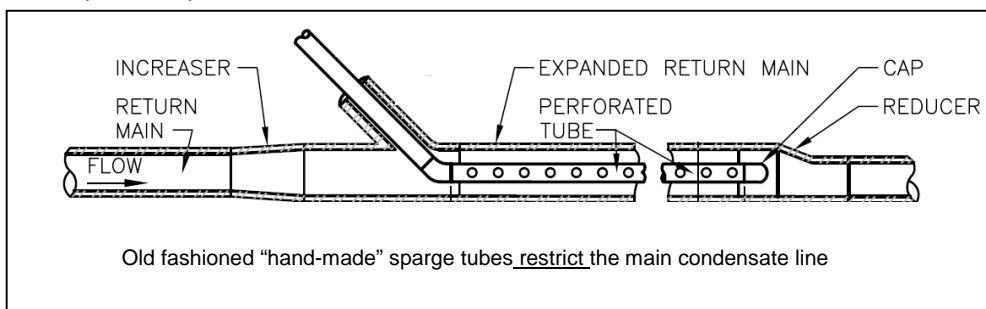
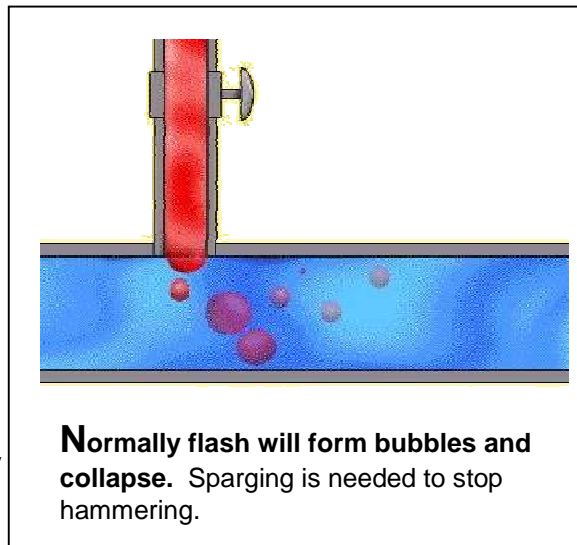


Look at the flash vents along the high pressure distribution system. That flash energy that is floating off into the atmosphere could be returned to the boiler plant instead.

How to reduce the expense of a high pressure steam drip station? Use an Advanced Steam condensate return mixing station instead. The Advanced Steam mixing station takes the place of a flash tank or separate return line.

The unit is space-saving and eliminates the need for a separate high pressure return line.

It was actually developed for use on our high efficiency hot water systems. When customers saw how well they worked, they demanded it as a separate product. It sparges the flash into cooler condensate without causing a restriction. The units are available in line sizes up to 6 inch, and pressures up to 300 psi.



MODEL CF CONDENSATE MIXER

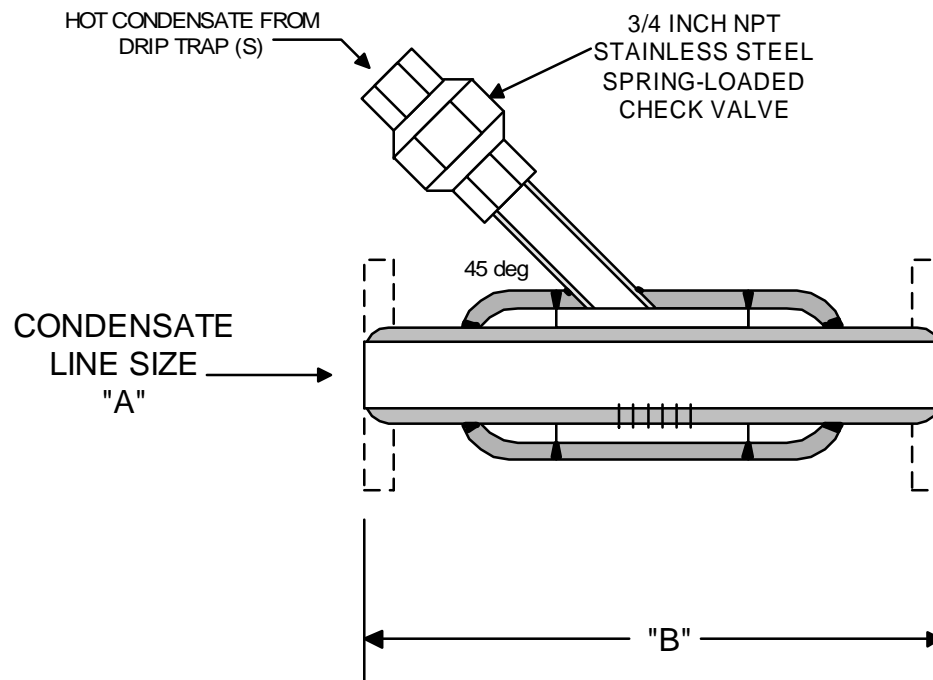
HOW TO SPECIFY: ADVANCED STEAM CONDENSATE MIXER MODEL CF - LINE SIZE - OPTION CODE:

"SS" - 304-L STAINLESS STEEL

"XX" - XXS PIPE (SCHEDULE 160)

"UU" - UNION ENDS (UP TO 2 INCH, ADD STANDARD UNION DIMENSIONS TO "B" DIMENSION)

"300" - 300 CLASS FLANGES



"A" Line Size	"B" Face to Face	End Connection
1.0	12	NPT
1.5	12	NPT
2.0	12	NPT
3.0	18	300 FLG
4.0	18	300 FLG
6.0	24	300 FLG
8.0	30	300 FLG
All dimensions in inches		

DESCRIPTION

STEEL CONDENSATE INJECTION FITTING

Advanced
Steam Technology

Phone 877-629-4843
www.advancedsteam.com

SIZE	FSCM NO	DWG NO	REV
		2-SIC-090112	
SCALE	NONE	SHEET	1 OF 1

Limited Warranty and Remedy

Advanced Steam Technology Company LLC (Advanced Steam) warrants to the original user of those products supplied by it and used in the service and in the manner for which they are intended, that such products shall be free from defects in material and workmanship for a period of one (1) year from the date of installation, but not longer than 15 months from the date of shipment from the factory [unless a Special Warranty Period applies, as listed below]. This warranty does not extend to any product that has been subject to misuse, neglect, or alteration after shipment from the Advanced Steam factory. Except as may be expressly provided in a written agreement between Advanced Steam and the user, which is signed by both parties, Advanced Steam DOES NOT MAKE ANY OTHER REPRESENTATIONS OR WARRANTIES, EXPRESS OR IMPLIED, INCLUDING, BUT NOT LIMITED TO, ANY IMPLIED WARRANTY OF MERCHANTABILITY OR ANY IMPLIED WARRANTY OF FITNESS FOR A PARTICULAR PURPOSE.

The sole and exclusive remedy with respect to the above limited warranty or with respect to any other claim relating to the products or to defects or any condition or use of the products supplied by Advanced Steam, however caused, and whether such claim is based upon warranty, contract, negligence, strict liability, or any other basis or theory, is limited to Advanced Steam's repair or replacement of the part or product, excluding any labor or any other cost to remove or install said part or product, or, at Advanced Steam's option, to repayment of the purchase price. As a condition of enforcing any rights or remedies relating to Advanced Steam products, notice of any warranty or other claim relating to the products must be given in writing to Advanced Steam: (i) within 30 days of last day of the applicable warranty period, or (ii) within 30 days of the date of the manifestation of the condition or occurrence giving rise to the claim, whichever is earlier. IN NO EVENT SHALL ADVANCED STEAM BE LIABLE FOR SPECIAL, DIRECT, INDIRECT, INCIDENTAL OR CONSEQUENTIAL DAMAGES, INCLUDING, BUT NOT LIMITED TO, LOSS OF USE OR PROFITS OR INTERRUPTION OF BUSINESS. The Limited Warranty and Remedy terms herein apply notwithstanding any contrary terms in any purchase order or form submitted or issued by any user, purchaser, or third party and all such contrary terms shall be deemed rejected by Advanced Steam.



Advanced Steam Technology Company LLC

PO Box 2899 – West Lafayette, IN 47996-2899

Phone 877-629-4843 Fax 765-464-8521 www.advancedsteam.com